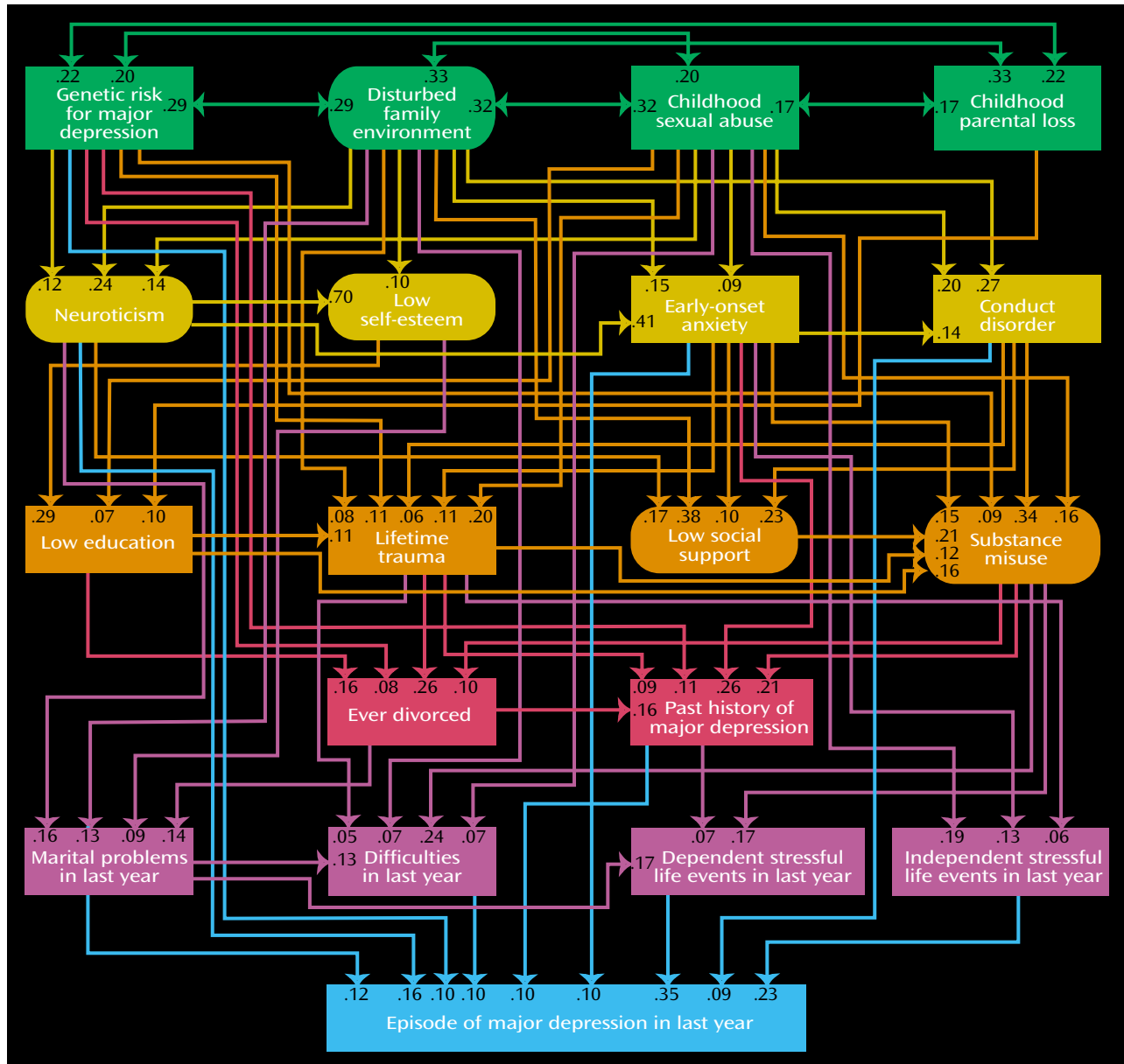
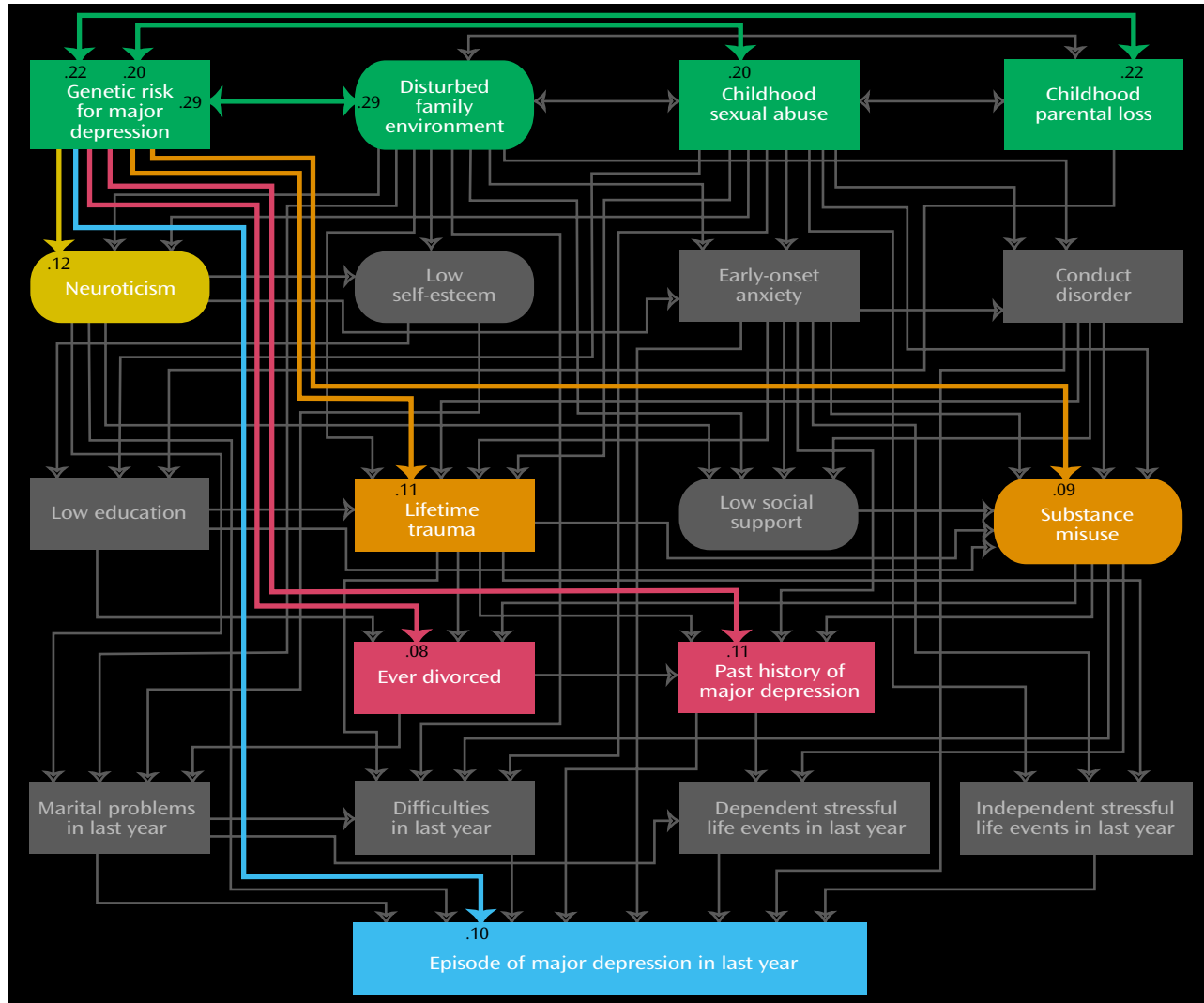


FIGURE 1. Path and Correlation Estimates of the Best-Fitting Model for Predicting an Episode of Major Depression in the Last Year in 1,942 Female Twins<sup>a</sup>



<sup>a</sup> Two-headed arrows represent correlation coefficients, and one-headed arrows represent path coefficients or standardized partial regression coefficients. Latent variables—indexed by observed variables in a measurement model—are depicted in ovals, and observed variables are depicted in rectangles. All variables have estimated residual variance that is not depicted in the figure. See text for a description of each variable.

FIGURE 2. Paths and Correlations Involving Genetic Risk for Major Depression in the Best-Fitting Model for Predicting an Episode of Major Depression in the Last Year in 1,942 Female Twins



## DEVELOPMENTAL MODEL OF DEPRESSION

FIGURE 3. Paths Involving Episode of Major Depression in the Last Year in the Best-Fitting Model for Predicting an Episode of Major Depression in the Last Year in 1,942 Female Twins

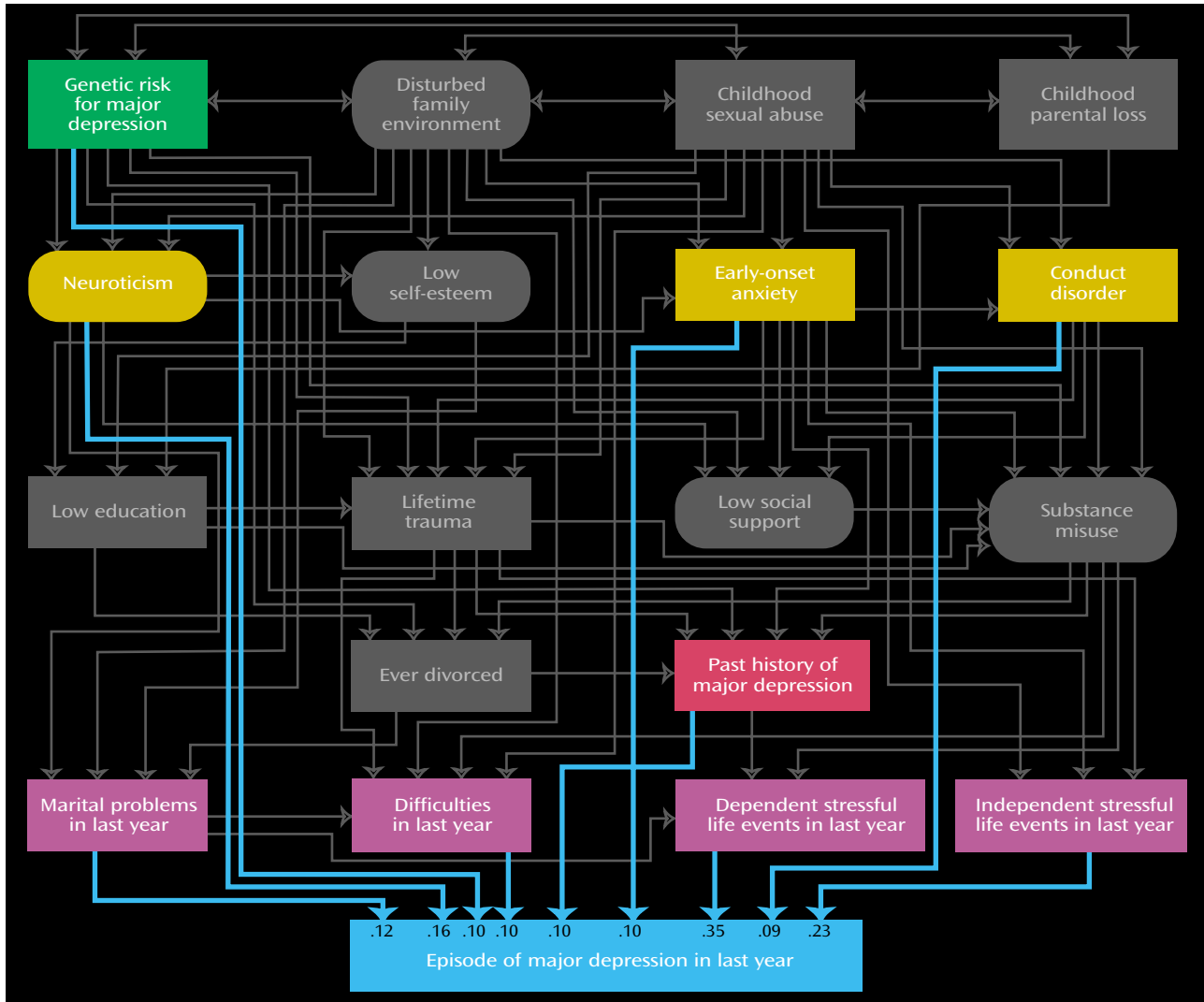
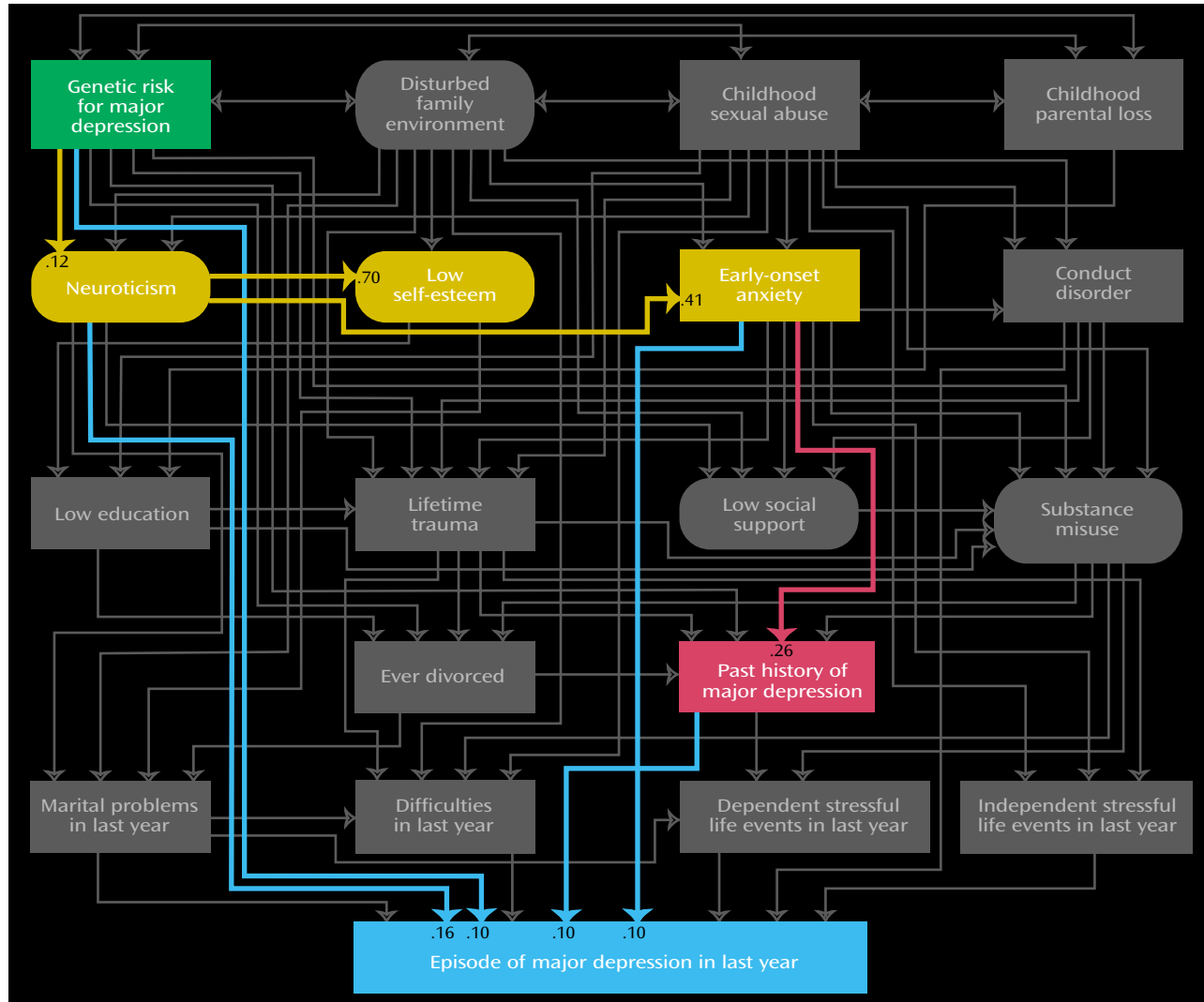


FIGURE 4. Paths Reflecting a Broad Internalizing Pathway to Major Depression in the Best-Fitting Model for Predicting an Episode of Major Depression in the Last Year in 1,942 Female Twins



## DEVELOPMENTAL MODEL OF DEPRESSION

FIGURE 5. Paths Reflecting a Broad Externalizing Pathway to Major Depression in the Best-Fitting Model for Predicting an Episode of Major Depression in the Last Year in 1,942 Female Twins

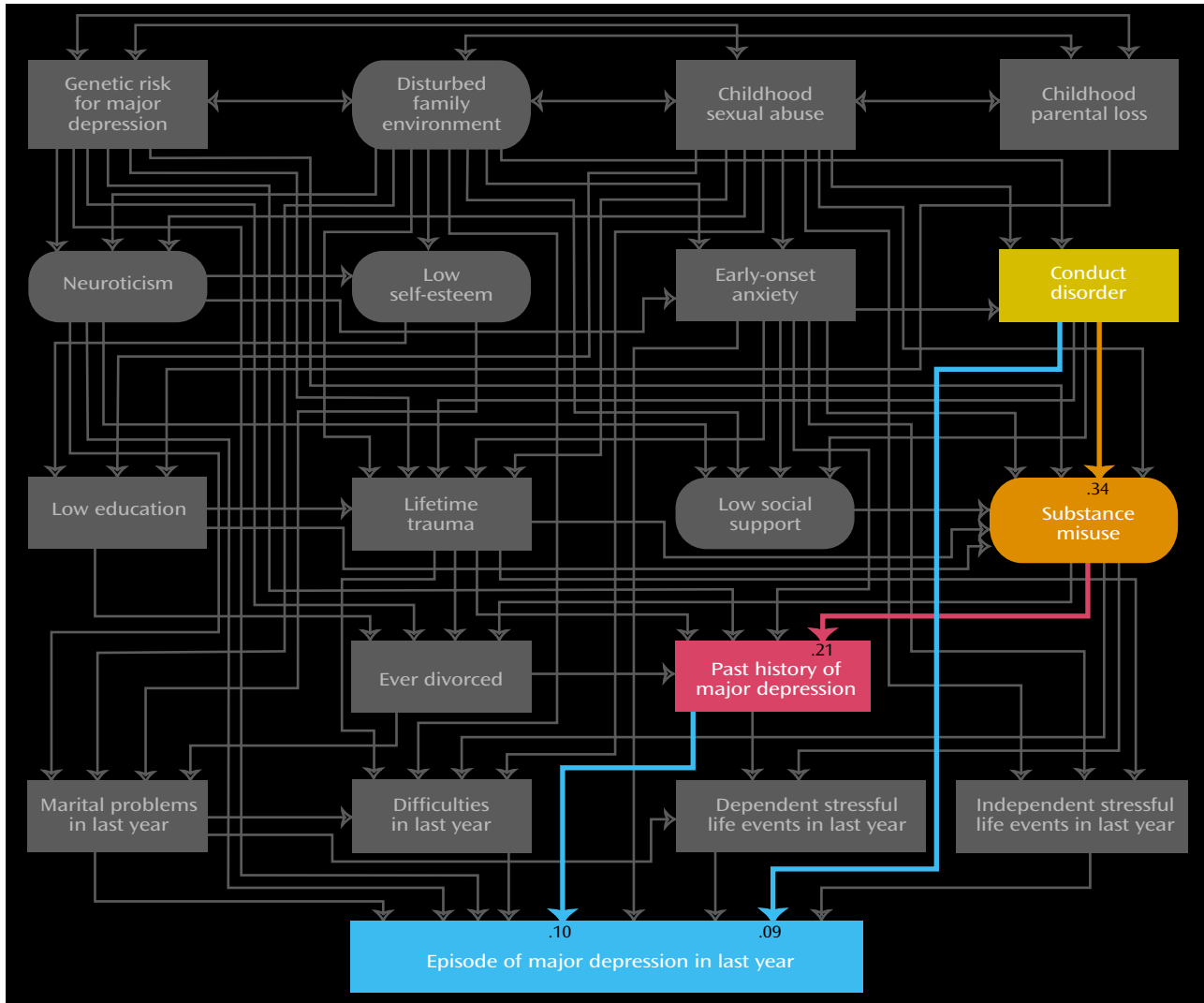


FIGURE 6. Paths Reflecting a Broad Adversity/Interpersonal Difficulty Pathway to Major Depression in the Best-Fitting Model for Predicting an Episode of Major Depression in the Last Year in 1,942 Female Twins

